

AV70

Solar Aviation Light

Features

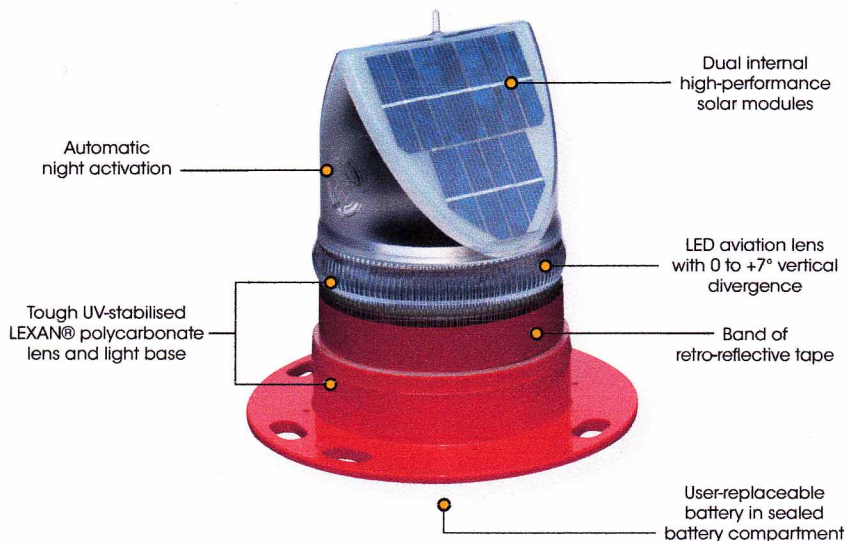
- Integrated solar/battery system
- Dual internal high-performance solar modules angled to maximize solar collection
- Fast & easy to deploy - no programming
- IP68 waterproof rating
- User-replaceable battery
- Ultra-high intensity LEDs (no changing globes ever)

Typical Applications

- Solar Airstrip Light
- Solar Barricade Light
- Solar Caution Light
- Solar Taxiway Light (ICAO)
- Solar Threshold Light
- Solar Obstruction Light

Compliance

- FAA AC150/5370-2E for construction and barricade installations
- ICAO Annex 14 Volume 1, 'Aerodrome Design and Operations', Forth edition July 2004, paragraph 5.3.17.7.



The solar powered AV70 aviation light offers enormous benefits over traditional battery and hard-wired aviation lights including low maintenance and no underground wiring.

These completely self-contained LED lights are designed to suit a range of aviation and general applications including emergency airstrip, caution, taxiway, and threshold lighting. The unit has two high-performance solar modules mounted within the lens, which maximize solar collection and provide reliable operation in a range of environmental conditions.

The focal plane of the light is designed to provide a vertical divergence of between 0 and +7 degrees, and the user-replaceable battery ensures a service life of up to 12 years.

The AV70 is made from tough, durable UV stabilized LEXAN® polycarbonate, and incorporates an internal photodiode for automatic night activation once the ambient light threshold drops sufficiently.

Completely self-contained and able to be installed in minutes, the AV70 is the preferred choice of remote airfields throughout Australia - where the units mark indigenous and regional council's airstrips, and mining strips around the country.

AV70-HI

The AV70-HI is a high intensity version of the popular AV70 and is ideal for use in high sunlight areas that receive a minimum of 3.5 hours of sun per day.

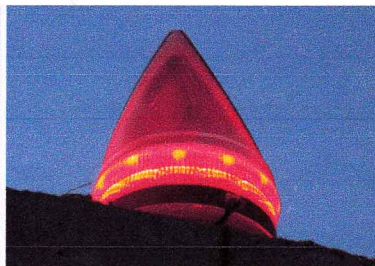
Optional Radio Control (AV70-RF)

The AV70-RF is a radio-controlled version of the popular AV70, which can be used in conjunction with a PALC or simple handheld controller. Users can wirelessly control ON/OFF functions, adjust light intensities, change colors or switch between visual and IR (tactical) operational modes.



Royal Flying Doctor Service

Avlite donates AUS\$20 to the Royal Flying Doctor Service from the sale of each AV60 & AV70 light within Australia



SPECIFICATIONS • AV70

Light Characteristics

Light Source
Available colors

Peak Intensity (cd)†

Horizontal Output (degrees)
Vertical Divergence (degrees)
Reflector Type

Available Flash Characteristics

Intensity Adjustments
LED Life Expectancy (hours)

Electrical Characteristics

Operating Voltage (v)
Temperature Range

Solar Characteristics

Solar Module Type
Output (watts)
Solar Module Efficiency (%)
Charging Regulation

Power Supply

Battery Type
Battery Capacity (Ah)
Nominal Voltage (v)
Autonomy (nights)

Radio Controlled (optional)

Frequency
Range
Expandability
Compliance

Physical Characteristics

Body Material
Lens Material
Lens Diameter (mm/inches)
Lens Design
Mounting
Height (mm/inches)
Width (mm/inches)
Mass (kg/lbs)
Product Life Expectancy

Environmental Factors

Humidity
Icing
Wind Speed
Shock
Vibration

Certifications

CE
Quality Assurance
Waterproof

Intellectual Property

Patents
Trademarks

Warranty *

Options Available

12 ultra-high intensity LEDs
Red, Green, White, Yellow, Amber,
Blue, Sectored Combinations

Steady-on:
Blue - 2.8 Red - 6.8 Green - 9.0
White - 7.0 Yellow - 6.5
Flashing:
Blue - 5.5 Red - 18.2 Green - 21.9
White - 19.1 Yellow - 15.1

360
0 to +7
Omnidirectional 360° LED Reflector
(US Pat. No. 6,667,582.
AU Pat. No. 778,918)

>250 including steady-on
(user-adjustable)
Adjustable in 25% increments
>100,000

3.6
-40 to 80°C

Multicrystalline
2.5 (2 x 1.25watt)
14
Microprocessor controlled

High grade NiMH
- Environmentally friendly
8
3.6
Steady-on: >14
Flashing: >38 (14 hour darkness,
12.5% duty cycle)

2.4Ghz ISM Band
1.4km between 2 lights, relayed
Peer to Peer Networking
FCC / CE

LEXAN® Polycarbonate
- UV stabilized
LEXAN® Polycarbonate
- UV stabilized
140 / 5½
External optics with interior flute
design
6 x 17mm holes on 200mm PCD
240 / 9½
231 / 9¼
1.1 / 2½
Up to 12 years

0 to 100%, MIL-STD-810F
22kg per square inch
Up to 160kph
MIL-STD-202G, Test Condition G,
Method 213B
MIL-STD-202G, Test Condition B,
Method 204

EN61000-6-3:1997. EN61000-6-1:1997
ISO9001:2008
IP68

US Pat. No. 6,667,582.
AU Pat. No. 778,918
AVLITE® is a registered trademark of
Avlite Systems
Full 3 year warranty

- RF Flash Synchronisation (AV70-CS)
- Avlite Pilot Activated Lighting Control
- Radio Controlled - FCC compliant
- IR (AV70-IR)
- External ON/OFF Switch (AV70-S)
- External Battery Charging Port
- Manual Operation

AV70-HI

12 ultra-high intensity LEDs
Red, Green, White, Yellow, Amber,
Blue, Sectored Combinations

Steady-on:
Blue - 4.5 Red - 12.1 Green - 16.9
White - 14.2 Yellow - 11.6
Flashing: Not available

360
0 to +7
Omnidirectional 360° LED Reflector
(US Pat. No. 6,667,582.
AU Pat. No. 778,918)

Not available
Adjustable in 25% increments
>100,000

3.6
-40 to 80°C

Multicrystalline
2.5 (2 x 1.25watt)
14
Microprocessor controlled

High grade NiMH
- Environmentally friendly
16
3.6
Steady-on: >19
Flashing: Not available

2.4Ghz ISM Band
1.4km between 2 lights, relayed
Peer to Peer Networking
FCC / CE

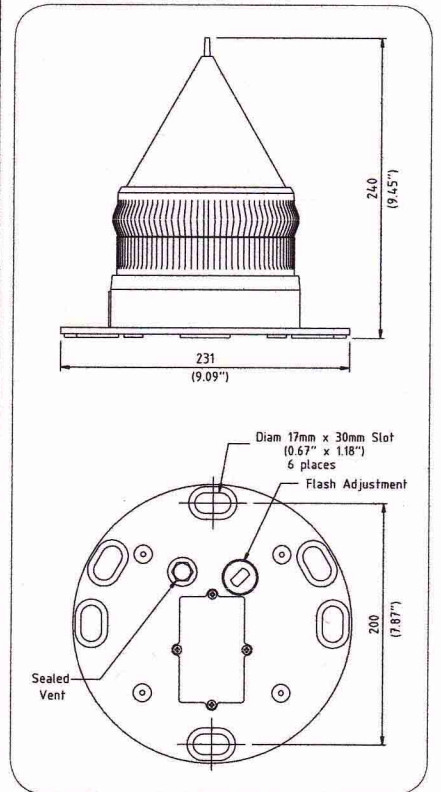
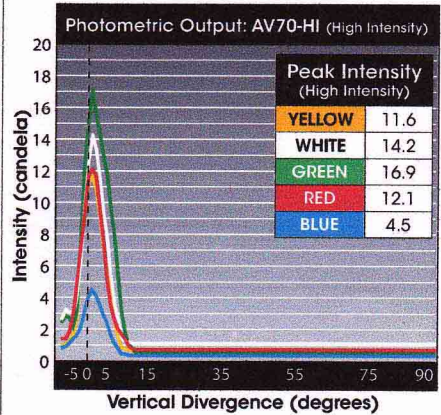
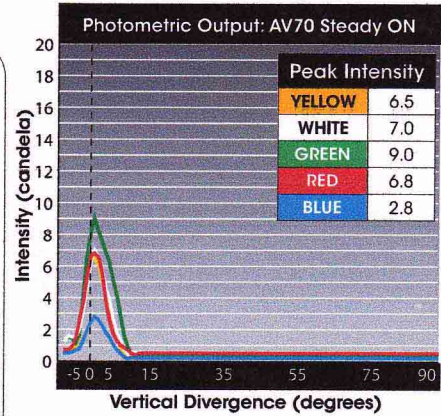
LEXAN® Polycarbonate
- UV stabilized
LEXAN® Polycarbonate
- UV stabilized
140 / 5½
External optics with interior flute
design
6 x 17mm holes on 200mm PCD
240 / 9½
231 / 9¼
1.41 / 3½
Up to 12 years

0 to 100%, MIL-STD-810F
22kg per square inch
Up to 160kph
MIL-STD-202G, Test Condition G,
Method 213B
MIL-STD-202G, Test Condition B,
Method 204

EN61000-6-3:1997. EN61000-6-1:1997
ISO9001:2008
IP68

US Pat. No. 6,667,582.
AU Pat. No. 778,918
AVLITE® is a registered trademark of
Avlite Systems
Full 3 year warranty

- RF Flash Synchronisation (AV70-CS)
- Avlite Pilot Activated Lighting Control
- Radio Controlled - FCC compliant
- IR (AV70-IR)
- External ON/OFF Switch (AV70-HI-S)
- External Battery Charging Port
- Manual Operation



* Specifications subject to change or variation without notice
† Intensity setting subject to solar availability



REPRESENTANTE EXCLUSIVO EN MÉXICO

TORRE WTC CIUDAD DE MÉXICO

Montecito #38, Piso 18, Oficina 09

Col. Nápoles, C.P. 03810

México, D.F.

Tel.: 01 (55) 9000.8987

www.pararrayosupresores.com.mx

